

TRANSITIONAL 1010

Instant Hot and Cold Water Faucet FHC1010

FEATURES:

- Hot and cold water faucet – dispenses near-boiling water and cold drinking water
- For use with an InSinkErator instant hot water tank and filtration system (sold separately)
- Self-closing hot valve for automatic shut off
- Handles move forward to avoid hitting backsplash
- Spout swivels 360° for convenience

MATERIAL:

- Reverse osmosis certified and compatible per NSF/ANSI 58
- Lead-free certified and tested per NSF 61, Section 9
- Solid brass construction
- Corrosion resistant ceramic disc valve

FINISHES:

Chrome • Stainless Steel • Arctic Steel • Matte Black
Brushed Bronze • Polished Nickel • Oil Rubbed Bronze
Classic Oil Rubbed Bronze

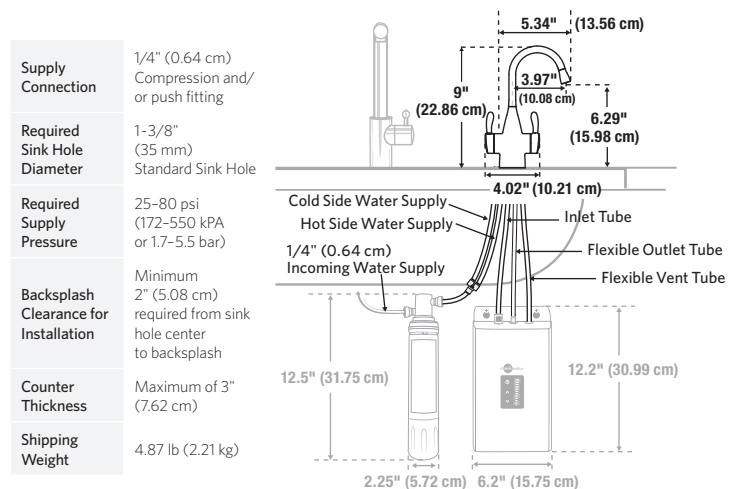
WARRANTY:

We Come To You® 5-Year In-Home Limited Warranty.
Covers parts and labor.

The complete InSinkErator warranty is included in the Care & Use booklet with each unit.

CERTIFICATIONS:

NSF/ANSI 372 • NSF/ANSI 58 • NSF/ANSI 42/53
NSF/ANSI 61 • ASME A112.18.1 • UPC Certified
ASSE 1023 • ADA Compliant
NSF/ANSI/CAN 61 Q ≤ 1



USA: 1.800.558.5700 www.insinkerator.com
CA: 1.800.561.1700 www.insinkerator.ca

InSinkErator may make improvements and/or changes in the specifications at any time, in its sole discretion, without notice or obligation and further reserves the right to change or discontinue models.

®/TM © 2023 InSinkErator. All rights reserved.